

**THIS SPACE FOR DESIGNER / ENGINEER APPROVAL**

|                         |            |                         |
|-------------------------|------------|-------------------------|
| Job/Customer _____      | Date _____ | Contractor _____        |
| Model Specified _____   | Qty _____  | Approved By _____       |
| Designer/Engineer _____ | Date _____ | Contractor's PO # _____ |
| Submitted by _____      | Date _____ | Other _____             |

Webstone Co. Inc.  
 Tel: (800) 225-9529  
 Fax: (800) 336-5133

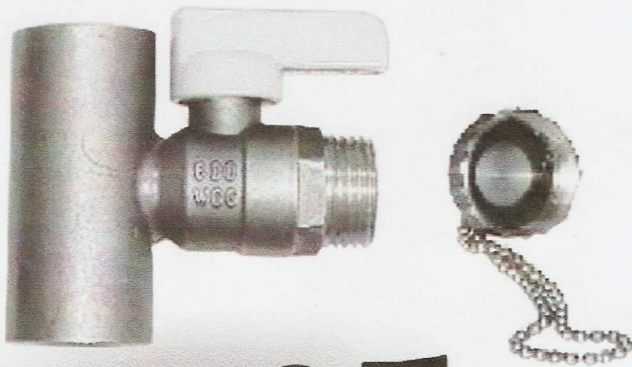


**Webstone**  
 Company, Inc.

**5067 SERIES**

**FORGED BRASS TEES WITH HI-FLOW BALL VALVE DRAIN - CxC (600 WOG/150 WSP) - ISO 9001**

Designed for residential and commercial use for water, oil and other fluids. Designed by Webstone for the PRO-PAL® series of valves, this approved Webstone valve/fitting saves time and money when installed in any system that requires a drain. This approved valve/fitting features Teflon® seats and stem seal, a blowout proof stem and an adjustable packing gland.



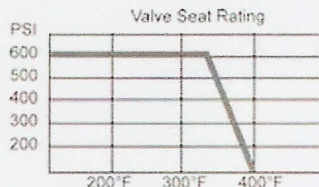
|     |               |  |
|-----|---------------|--|
| 1.  | BODY          | FORGED BRASS (ASTM B283-C37700)            |
| 2.  | END CAP       | FORGED BRASS (ASTM B283-C37700)            |
| 3.  | SEATS         | TEFLON® (PTFE)                             |
| 4.  | BALL          | BRASS / HARD CHROME PLATE                  |
| 5.  | STEM          | BRASS (ASTM B124-C37700)                   |
| 6.  | STEM SEAL     | TEFLON® (PTFE)                             |
| 7.  | PACKING GLAND | BRASS (ASTM B124-C37700)                   |
| 8.  | LEVER HANDLE  | ZINC w/EPOXY COATING                       |
| 9.  | HANDLE SCREW  | BRASS (ASTM B124-C37700)                   |
| 10. | CAP+CHAIN     | BRASS (ASTM B124-C37700) w/NBR HOSE WASHER |



**PRESSURE RATING**

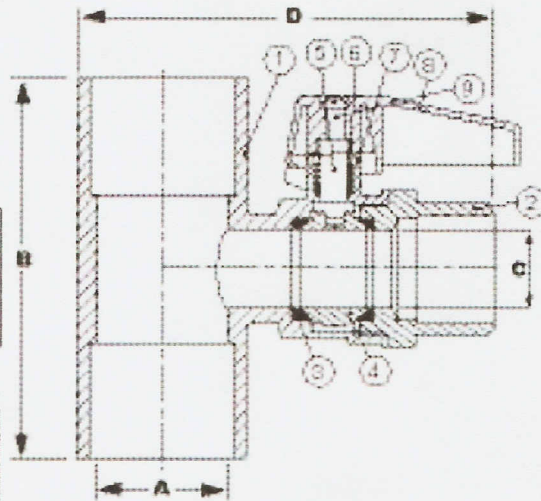
600 WOG non-shock  
 150 WSP

1. Threaded ends comply with ANSI B1.20.1
2. Hose end complies with ANSI B1.20.7
3. Teflon® seats withstand temperatures from -40°F to 400°F
4. Manufactured in an ISO 9001 Facility



all Teflon® seated valves  
 \*Maximum Temperature is 400°F @ 100 PSI\*

| ITEM  | SIZE  | CTN/CS | A     | B      | C   | D       |
|-------|-------|--------|-------|--------|-----|---------|
| 50672 | 1/2   | 10/80  | 1/2   | 2      | 3/8 | 2 5/8   |
| 50673 | 3/4   | 8/48   | 3/4   | 2 5/16 | 1/2 | 2 15/16 |
| 50674 | 1     | 8/48   | 1     | 2 7/8  | 1/2 | 3 1/8   |
| 50675 | 1 1/4 | 6/24   | 1 1/4 | 7/16   | 3/4 | 3 3/4   |
| 50676 | 1 1/2 | 4/24   | 1 1/2 | 3 7/16 | 3/4 | 4 1/16  |
| 50677 | 2     | 2/20   | 2     | 3 5/8  | 3/4 | 4 1/2   |



Webstone product specifications in U.S. customary units are approximate and are provided for reference only. For precise measurements, please contact Webstone Technical Service. Webstone reserves the right to change or modify product design, construction, specifications or materials without prior notice and without incurring any obligation to make such changes and modifications on Webstone products previously or subsequently sold. Teflon® is a registered trademark of DUPONT. Pro-pal is a registered trademark of Webstone Company Inc. T-drain is a registered trademark of Webstone Company Inc.